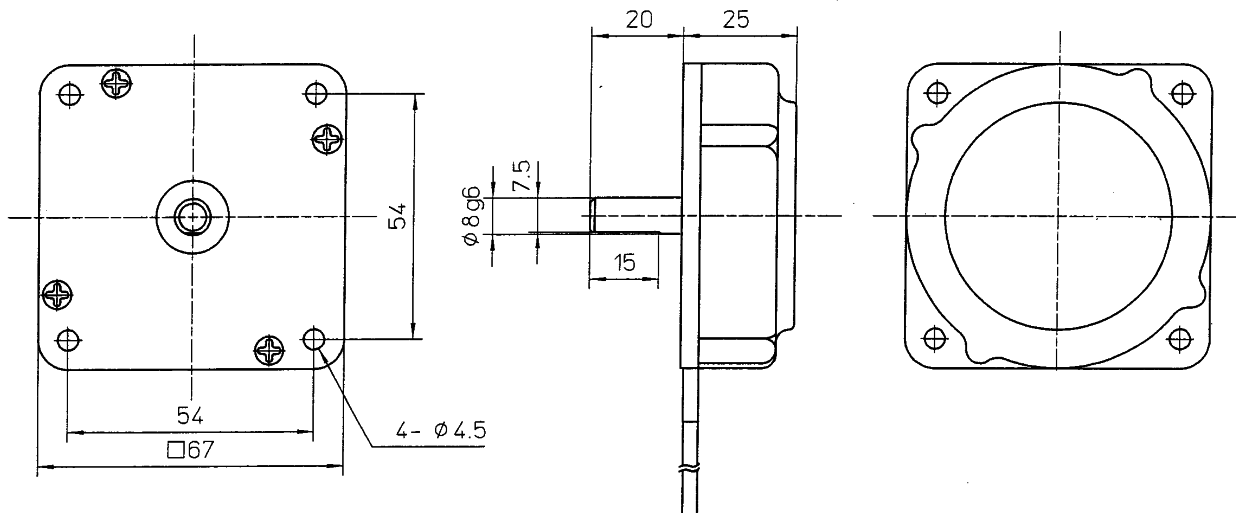


# ULTRASONIC MOTOR

USR60-S1

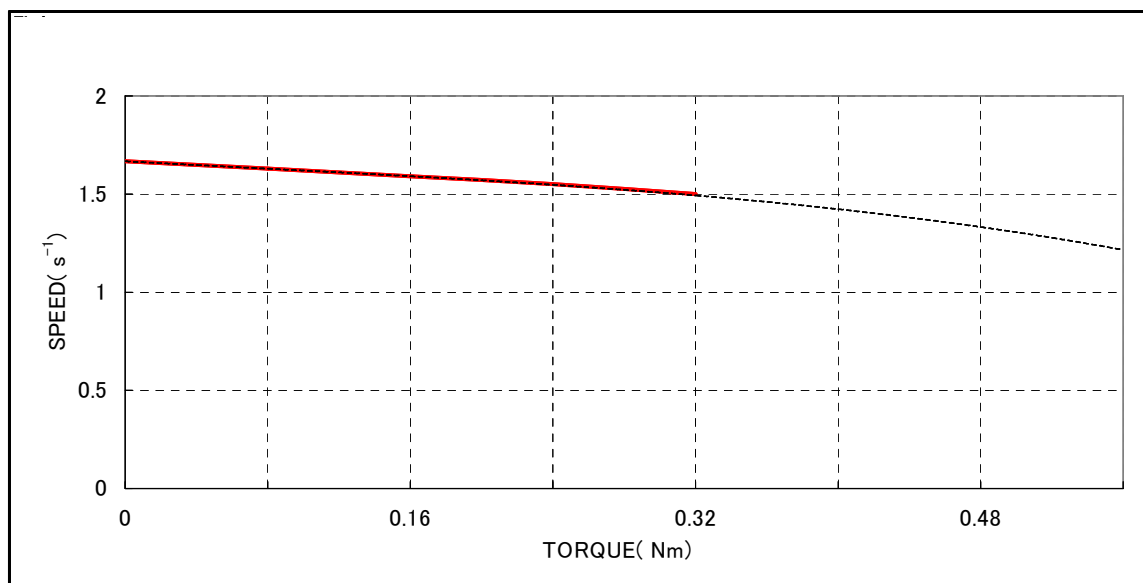
## DIMENSIONS



## SPECIFICATION

MOTOR	RATED TORQUE (Nm)	0.314
	RATED SPEED ( $s^{-1}$ )	min. 1.5
	RATED OUTPUT (W)	min. 3.0
	HOLDING TORQUE (Nm)	min. 0.314
	WEIGHT (g)	240
	ENCORDER RESOLUTION (P/R)	—
DRIVER	INPUT VOLTAGE (V)	DC12 $\pm$ 0.5
	INPUT CURRENT (A)	max. 2.5
	WEIGHT (g)	about 240
OPERATING TEMPERATURE RANGE		-10 $\sim$ 50 $^{\circ}$ C
STORAGE TEMPERATURE RANGE		-20 $\sim$ 60 $^{\circ}$ C

## CHARACTERISTIC



 **FUKOKU**

Fukoku Co., Ltd.