



Micromechatronics Inc.

200 Innovation Blvd., Suite 155 ; State College, PA 16803-6602, USA
Phone: (814) 861-5688 ; Fax: (814) 861-1418. www.mmech.com

ZO-40B Small Ultrasonic Cutter



FEATURES

- Ultrasonic cutter using 40,000 ultrasonic vibrations per second with non-audible sound to assist in reducing the friction during the cutting process.
- The latest version of Honda Electronics Small Ultrasonic Cutter. The new ZO-40B includes the following improvements:
- Ergonomically designed hand piece.
- Larger selection of blade options including a thin blade and a serrated blade.
- Pressure shutoff switch to prevent damage to the cutter due to excessive cutoff forces.
- Case color - Black.
- Straight cord to hand-piece.
- Hand-piece locks into holder.

APPLICATIONS

Ultrasonic cutting of plastics, rubber, foam cutting patterns, cardboard, leather etc. Used for light production cutting and trimming, model building, radio control vehicle fabrication, doll making, model sailboat construction, hobby and craft making.

Examples of material cutting capabilities (estimate)

Cardboard: less than 2mm

ABS: less than 3mm

PET: less than 3mm

PP and Acrylic: less than 3mm

For hard materials or continuous usage (greater than 10 min.) consider the USW335-Ti or the USW337 cutters.

Results may vary with the type of material. Please consult us in advance.

SPECIFICATIONS	
Oscillation frequency	40kHz
Maximum output	20W
Maximum power Consumption	25VA
Power	AC 100V 50/60Hz (Requires a 120V/100V transformer for USA operation or 220V/100V for Europe operation)
Dimensions (mm)	Transmitter: 173 x 89 x 76 (not including protrusion) Hand-Piece: D=32 x L=144 (excluding blade)
Temperature	5 °C ~ 45°C
Circuit Protection	Over-temperature thermostat circuit Thermal shutdown if temperature is above 70°C Pressure switch if excessive force is exerted on blade.

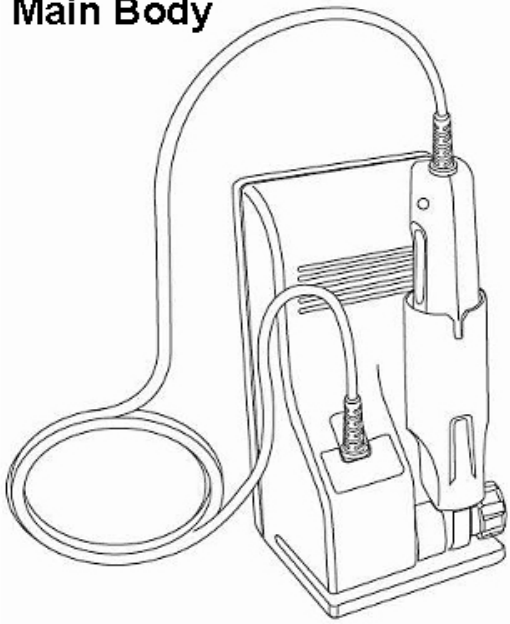

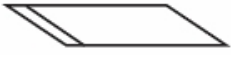




Micromechatronics Inc.

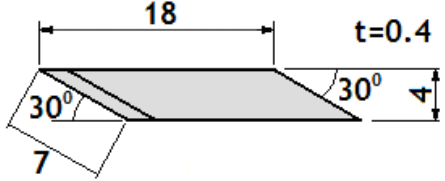
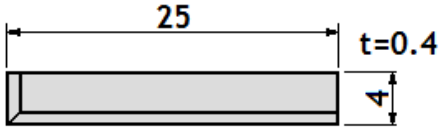
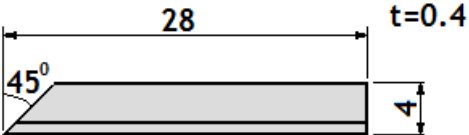
200 Innovation Blvd., Suite 155 ; State College, PA 16803-6602, USA
 Phone: (814) 861-5688 ; Fax: (814) 861-1418. www.mmech.com

Weight	Transmitter (body): Approx. 360g Hand-piece: About 100g (including output cord)
Power Cord	1.4m
Output Cord	1.6 cm (Straight cord)

STANDARD ZO-40B PARTS

Main Body 	Replacement Blades: Standard Blades: 40/case	
	Case 	Standard Blade - Material: SK-2 
	Allen Wrench (1) 1.5mm, for M3.0 	Operating Manual 

OPTIONAL PARTS FOR ZO-40B

Article	Model Code	Units per case	Material	Description	
Blades	Standard Blade	HA04	40 units	SK2 (carbon tool steel).	
	Ultra Hard Blade	HA07	1 unit	Tungsten Carbide	
	Square-shaped Blade	HA08	1 unit	SKH	
	Long Blade	HA09	1 unit	SKH	



Micromechatronics Inc.





200 Innovation Blvd., Suite 155 ; State College, PA 16803-6602, USA
 Phone: (814) 861-5688 ; Fax: (814) 861-1418. www.mmech.com

	Round-edge Blade	HA10	1 unit	SKH	
	Blade – L Shaped	ZH03	1 unit		
	Blade – 1 mm Tip	ZH05	1 unit		
	Blade – 2mm Tip	ZH06	1 unit		
	Blade – 1mm Welding Tip	ZH07	1 unit		
	Blade– 2mm Welding Tip	ZH08	1 unit		
	Blade – Round Edge	ZH09	1 unit		
	Blade – 25mm Long	ZH10	1 unit		
	Blade - Serrated	ZH11	1 unit		
	Blade – Pointed Engraving	ZH12	1 unit		
	Blade – Thin (0.15mm)	ZH14	1 unit		<p>Requires the Blade Clamp ZH15 to use</p>
Blade Clamp	ZH04	1 unit			




Micromechatronics Inc.

200 Innovation Blvd., Suite 155 ; State College, PA 16803-6602, USA
 Phone: (814) 861-5688 ; Fax: (814) 861-1418. www.mmech.com

Blade Clamp – Used with ZH14	ZH15	1 unit	
Blade Clamp w/ screw and wrench	ZH04S	1 unit	
Screw for mounting blade	HB03	1 unit	
Allen wrench	RR02	1 unit	

VT-100J Converter for USA operation - Recommended for USA outlet

The ZO-40B ultrasonic cutter is rated at 100VAC, which is the Japanese outlet operation. The unit can operate at 100VAC +/-10%. For USA operation, i.e. 110 to 120VAC, we recommend using the VT-100J converter to prevent any damage due to overvoltage.

Part Number	Article Description
VT-100J 	USA to Japan Step-Down Converter Input: 110V/120V Output: 100V Rated Load: 100VA max. (including start-up current) Heavy duty for continuous use Fuse protected