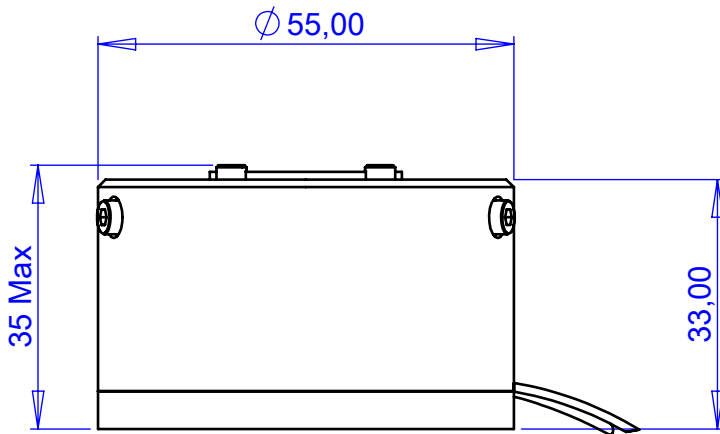
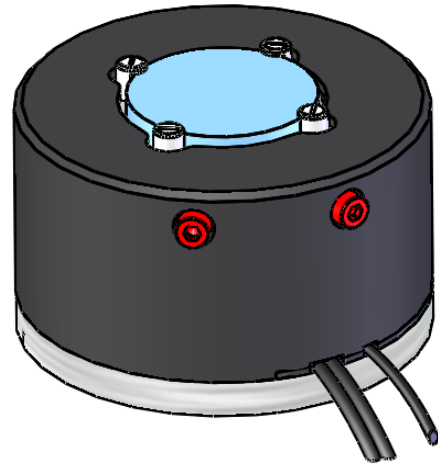


4 Holes M3
(A screw length of 5mm is recommended)

Cable exit



Note:

The \varnothing of the mirror is 25.4mm

Mechanical interfaces:

4 x M3 on \varnothing 48.00mm
(A screw length of 5mm is recommended)

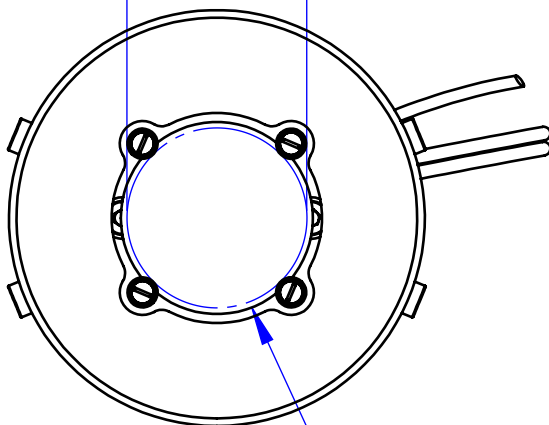
Electrical Interfaces:

-Piezo actuators: Wire Length 1.5m.
Lémo FGG.00.303.CLAD22

-SG option: Wire Length 1.5m.
Lémo FGG.00.304.CLAD22

-ECS option: Wire Length 1m
Radiall R113081000W

(Ref \varnothing 23,80)



Mirror (dia 25.4mm)

Matiere / Material		Titre	
Traitement / Treatment		ICD_Customer_TT60SM	
Finition / Finish		Titre	
		ICD_Customer_TT60SM	
Tolerances generales / General Tolerances			
Longueur / Length ± 0.10 mm	Angles $\pm 0.5^\circ$	 CEDRAT TECHNOLOGIES Innovation in Mechatronics	CONFIDENTIEL INDUSTRIE Ce document est la propriété de CEDRAT TECHNOLOGIES. Ne peut être communiqué sans autorisation écrite.
Dessiné par / Drawn by srowe	Date 07/01/2013		
Masse		Reference / Révision 007522 / A.01	Echelle/Scale 1:1
146.16 g			1/1