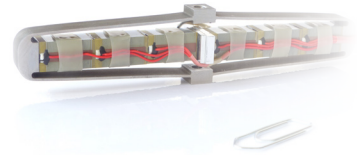


> CTEC: COMPACT, DYNAMIC, PRECISE

Dynamic conditions are particularly challenging! They require systems capable of generating or handling large accelerations. Reactivity and reliability of actuators developed by CTEC make them unique for high dynamic applications.

However integration and loading conditions being equally important, we invite you to get in touch with our engineers at actuator@cedrat-tec.com to discuss your application.



> TABLE OF STANDARD PROPERTIES OF USE AND MEASUREMENT

The properties defined in the table below, are set up according to the technical conditions of use and measurement. These properties are warranted within their variation range and in compliance with the standard technical conditions of use.

PROPERTIES	STANDARD TECHNICAL CONDITIONS	UNIT	NOMINAL VALUES	MIN. VALUES	MAX. VALUES
Notes		-	-	-	-
Max. no load displacement	Quasistatic excitation, blocked-free	µm	1967	1574	2321
Blocked force	Quasistatic excitation, blocked-free	N	66.5	56.5	76.5
Stiffness	Quasistatic excitation, blocked-free	N/µm	0.034	0.027	0.04
Resonance frequency (free-free)	Harmonic excitation, free-free, on the admittance curve	Hz	521	443	573
Response time (free-free)		ms	0.96	0.86	1.10
Resonance frequency (blocked-free)	Harmonic excitation, blocked-free, on the admittance curve	Hz	87	74	96
Response time (blocked-free)		ms	5.73	5.16	6.59
Capacitance	Quasistatic excitation, free-free, on the admittance curve	µF	40.00	36.00	52.00
Max. no load displacement at resonance	Max. harmonic excitation, free-free	µm p-p	443	354	531
Max. voltage at resonance	Max. harmonic excitation, free-free	V _{rms}	9.00	7.20	10.80
Force limit (0-pk)	Max. harmonic excitation, free-free	N	8.31	6.65	9.14
Resolution	Quasistatic excitation	nm	20	-	-
Height (in actuation direction)		mm	26.84	26.74	26.94
Length		mm	139.76	139.66	139.86
Width (excl. wedge & wires)		mm	20.00	19.95	20.05
Width (incl. wedge & wires)		mm	20.00	19.00	21.50
Mass		g	131.5	-	-
Standard mechanical interface	2 flat surfaces 10*9 mm ² with M5 threaded hole	-	-	-	-
Standard electrical interface	2 PTFE insulated AWG26 wires 300 mm long with Ø 1 banana plug	-	-	-	-

> PROPERTIES STANDARD TECHNICAL CONDITIONS OF USE AND MEASUREMENT

Free-free :	The actuator is not fixed
Blocked-free :	The actuator is fixed to a mechanical support assumed infinitely stiff
Quasistatic excitation :	AC voltage between -20 and 150 V at 1 Hz
Harmonic excitation :	Voltage of 0.5 V _{rms} , sinusoidal mode from 0 to 100 kHz
Max. harmonic excitation :	Voltage defined by the measurement of max. displacement, sinus at resonance frequency
Displacement measurement :	Laser interferometer, capacitive displacement sensor
Admittance measurement :	HP 4194 A or Cypher C60 electrical impedance analyser
Environment :	Ambient temperature (15-25°C) and dry air (Humidity < 50 % rH)

Any technical conditions of use, different from those defined above, can lead to temporary or definitive alterations of properties. Thank you to contact CEDRAT TECHNOLOGIES before using actuators under non standard technical conditions.

> FACTORY TESTS CARRIED OUT

- Test 1 : Electrical admittance vs. Frequency, free-free
- Test 2 : Displacement vs. input voltage

> OPTIONAL EXTRA FACTORY TESTS

- Test 3 : Gain and linearity of the sensor
- Test 4 : Step response in closed loop
- Test 5 : Stability in closed loop

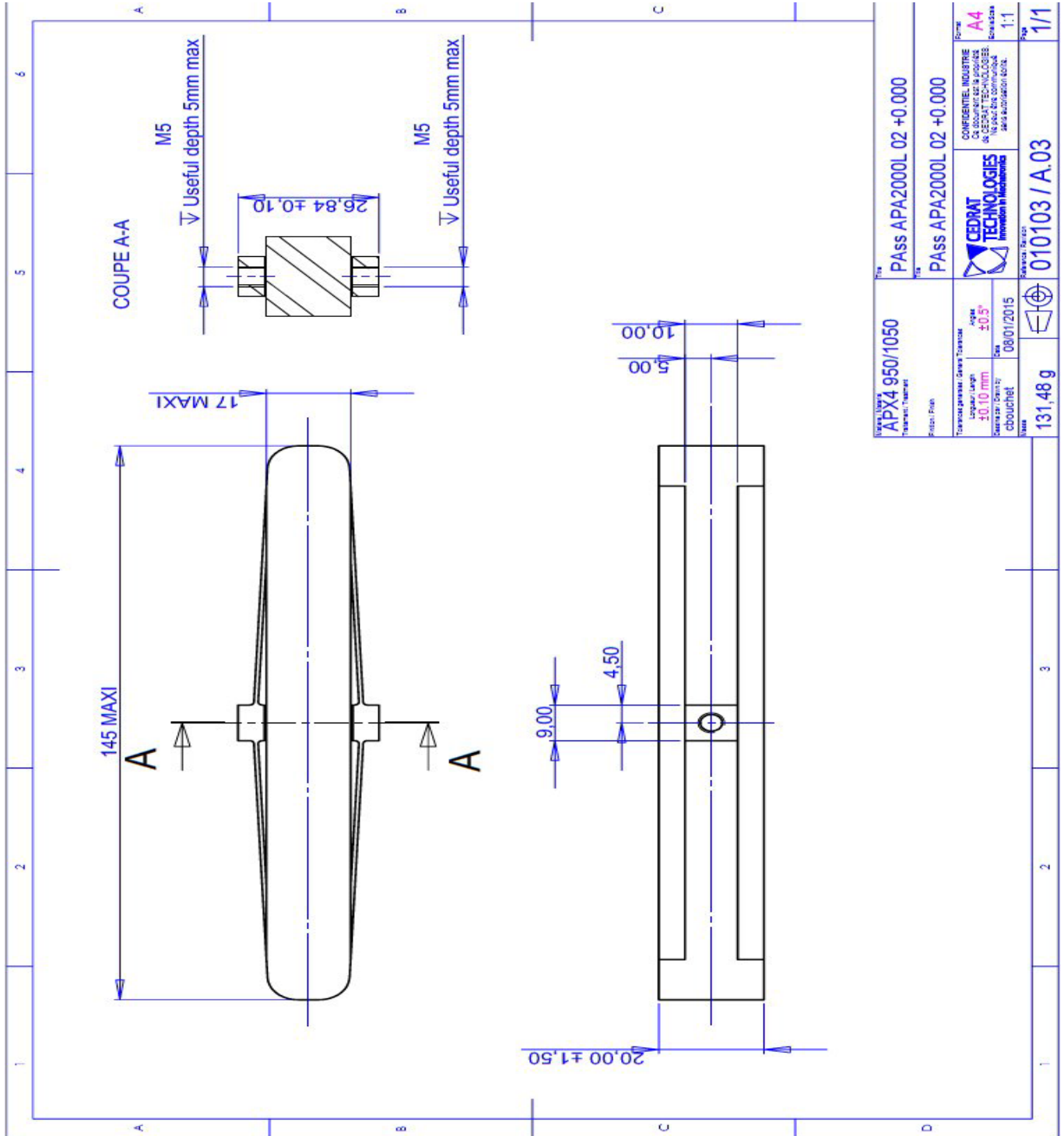
> OPTIONAL MECHANICAL INTERFACE

- [FI] Flat Interface
- [H] Flat Interface with hole
- [TH] Flat Interface with threaded hole
- [FF] Free-free Interface
- [SI] Specific interface

> AVAILABLE OPTIONS

- [SG] Strain gauges
- [ECS] Eddy current displacement sensor
- [NM] Non-magnetic
- [VAC] Vacuum
- [SV] Specific version / Customization

➤ 2D CONFIGURATION



Version: 1.0	APX4 950/1050	Titre: PASS APA2000L 02 +0.000	Scale: A4
Revisé: T. Baudouin	Revisé: T. Baudouin	Revisé: T. Baudouin	Revisé: T. Baudouin
Établi: P. Fournier	Établi: P. Fournier	Établi: P. Fournier	Établi: P. Fournier
Approuvé: G. S. Tournier	Approuvé: G. S. Tournier	Approuvé: G. S. Tournier	Approuvé: G. S. Tournier
Longueur: 10.00 mm	Longueur: 10.00 mm	Longueur: 10.00 mm	Longueur: 10.00 mm
Largeur: 9.00 mm	Largeur: 9.00 mm	Largeur: 9.00 mm	Largeur: 9.00 mm
Épaisseur: 2.00 mm	Épaisseur: 2.00 mm	Épaisseur: 2.00 mm	Épaisseur: 2.00 mm
Date: 08/01/2015	Date: 08/01/2015	Date: 08/01/2015	Date: 08/01/2015
Chouquet	Chouquet	Chouquet	Chouquet
131,48 g	131,48 g	131,48 g	131,48 g
010103 / A.03	010103 / A.03	010103 / A.03	010103 / A.03
1/1	1/1	1/1	1/1